

SIMPLE TORQON

SIMPLE TORQON

Electric Torque Control Wrench

GSR-TYPE



SIMPLE TORQON (GSR-TYPE)

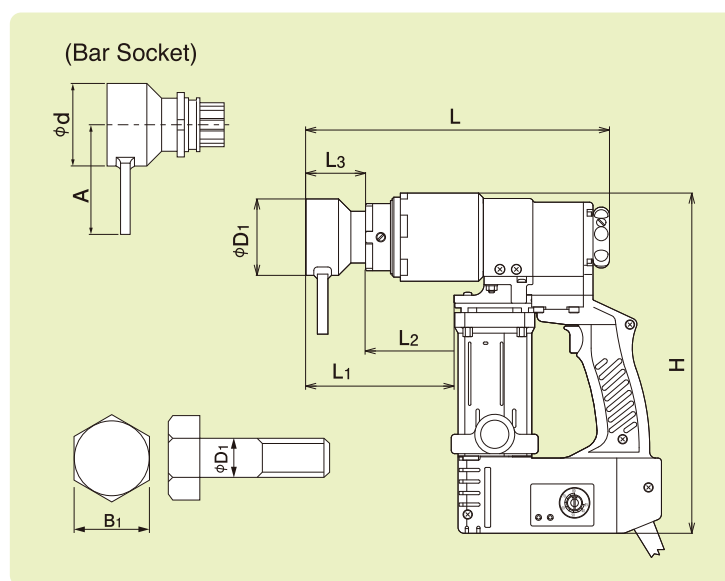
Outstanding Features

- **SIMPLE TORQUE SETTING**
Simply set target-torque value with torque graduation.
- **SIMPLE AND EASY OPERATION**
Wrench shuts off automatically when reaching preset torque.
- **REPEATED ACCURACY**
Within $\pm 5\%$.
- **TORQUE CONTROL WORKS IN BOTH DIRECTION**
Clock wise and counter-clock wise.
- **BUILT-IN "LED" INDICATOR**
LED indicates the status of wrench.
- **LOW SOUND PRESSURE AND VIBRATION LEVEL**
Does not restrict night time or in a narrow room operation.
- **ERGONOMICALLY DESIGNED PISTOL STYLE BODY**
Unique design, light weight, easy handling, high mobility and less fatigue after consecutive operations.

Specifications

MODEL	GSR-51E	GSR-52E	GSR-71E	GSR-72E	GSR-121E	GSR-122E	GSR-211E	GSR-212E
Rated Voltage (Single Phase)	115V~	230V~	115V~	230V~	115V~	230V~	115V~	230V~
Max. Current	13A	6A	13A	6A	13A	6A	13A	6A
Max. Input Power	1350W							
Rated Input Power	710W							
Controllable Torque Range	150~370ft·lbs (GSR-51E) 200~500N·m (GSR-52E)		260~520ft·lbs (GSR-71E) 350~700N·m (GSR-72E)		450~900ft·lbs (GSR-121E) 600~1200N·m (GSR-122E)		740~1550ft·lbs (GSR-211E) 1000~2100N·m (GSR-212E)	
No-Load Speed	23min ⁻¹		16min ⁻¹		9min ⁻¹		5min ⁻¹	
Weight (mainbody)	4.9kg(10.8lb)		5.4kg(11.9lb)		7.1kg(15.6lb)		7.3kg(16.1lb)	
L (mm)	237~254		248~265		282~293		281	
L1 (mm)	106~123		117~134		150~161		150	
L2 (mm)	64		75		94		101	
L3 (mm)	41~58		41~58		55~66		49	
D1 (mm)	68		75		85		98	
H (mm)	286		289		304		299	

Bar Socket Code No.	Bolt Size		Bolt Across flat B1		Bar Socket		
	ϕ D		ϕ d	A			
	F10T	A325 A490	F8T	(mm)	(inch)	(mm)	(mm)
for GSR-51E / GSR-52E / GSR-71E / GSR-72E							
MRU24T			M16	24	1-1/16"	54	82.5
MRU27T	M16	5/8"	M18	27	1-1/16"	59	82.5
MRU30T			M20	30		59	82.5
MRU32T	M20	3/4"	M22	32	1-1/4"	59	82.5
MRU36T	M22		M24	36		65	82.5
MRUB46Z		7/8"			1-7/16"	65	82.5
MRU41T	M24	1"	M27	41	1-5/8"	70	90.0
for GSR-121E / GSR-122E							
HRU36T	M22		M24	36		70	82.5
HRUB46Z		7/8"			1-7/16"	70	82.5
HRU41T	M24	1"	M27	41	1-5/8"	75	90.0
HRU46T	M27	1-1/8"	M30	46	1-13/16"	80	100.0
for GSR-211E / GSR-212E							
VRU41T	M24	1"	M27	41	1-5/8"	75	125.0
VRU46T	M27	1-1/8"	M30	46	1-13/16"	80	125.0
VRU50T	M30		M33	50		85	125.0
VRUB64Z		1-1/4"			2"	85	125.0



Manufactured by

TONE MAEDA METAL INDUSTRIES, LTD.

Specifications and the design are subject to change without notice.



Our QMS & EMS have been approved by LRQA.

Produits disponibles sur demande au :

EMILE MAURIN S.A
Tel : 0 825 007 333

www.emile-maurin.fr