

## Do you have any of problems below?

- Tighten the big bolts with large torque wrench is stressful.
- I have no space to place large torque wrench in my confine connection.
- I'm scared of operating large torque wrench at heights.
- I'm not allowed to use any power tools for my work.
- My customer is requiring precise torque management.
- I want to know exact torque that I'm inputting.

**EMILE MAURIN**  
FIXATION BOULONNERIE-VISSERIE

## **TONE**® **DIGITORQON**™ *PD-Series*

### can solve all problems above!!



Capable of output high torque value with less manual input. Reduce labor cost & operator's fatigue. No impacting noise & vibration.



DIGITORQON™ indicates the actual torque applied on the bolt/nut. Up to 3000N.m of torque reading with +/- 4% of reading accuracy (come with Calibration Certificate and Traceability Diagram)



Any 1" square drive impact sockets can be used.

**Multiplier + Torque Wrench = DIGITORQON !!**  
**It's a perfect alternative for the large torque wrenches!!!**

**Calibration Certificate  
Included!!**

**DIGITORQON**™  
**PD-300EN**



Eyes-friendly RED LED for better visual contact in outdoor and at the night.



Swivel LED Display for better visual contact.



Combination of Anti-Wind-UP Clutch and Ratchet handle improves workability as well as protects operator from spring back force of the gears.



Lifting device to support safer work at heights.



Straight and Offset type reaction plates are included as standard accessory. Custom made reaction plates are also available.

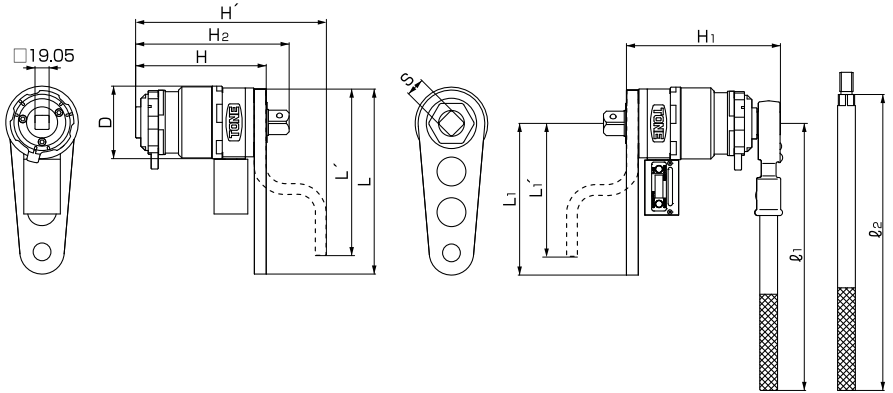


Reaction plates must be place parallel to the display to protect display from damage.

## Specification

Model	PD-300EN
Reading Range	1,000 ~ 3,000 N·m
Accuracy	+/- 4%
Reading Direction	Clockwise
Increment	4 N·m
Weight (*)	9.7kg
Battery	AA Alkaline x 4
Battery Life	Approx. 1500 cycles with continuing use
Operating Temperature	0 - 40 degrees C relative humidity below 80% (no condensation allowed)

\*Weight includes wrench body, straight-type reaction plate and ratchet handle



Model	Dimensions(mm)											
	D	H	H'	S	L	L'	L <sub>1</sub>	L <sub>1</sub> '	H <sub>1</sub>	H <sub>2</sub>	l <sub>1</sub>	l <sub>2</sub>
PD8-300P	98	176	245	25.4	250	230	205	185	208	207	470	400

## Standard Accessories

Straight Reaction Plate	1	Hex Key Wrench	1	AA Alkaline Battery (factory installed)	4
Offset Reaction Plate	1	(+) Screw Driver	1	Metal Case	1
Ratchet Handle	1	HSH Set Screw	4	Instruction Manual	1
Extension Pipe	1	Lifting Device	1	Calibration Certificate with Traceability Diagram	1

## CAUTION

Read instruction manual before use.  
Specifications and the design are subject to change without notice.

Manufactured by

**TONE** MAEDA METAL INDUSTRIES, LTD.

**EMILE MAURIN**  
FIXATION BOULONNERIE-VISSERIE

Specifications and the design are subject to change without notice.  
The company has accreditation to ISO14001 and ISO9001.

Produits disponibles sur demande au :

EMILE MAURIN S.A  
Tel : 0 825 007 333

www.emile-maurin.fr